

# CITIVIEW®

TOTAL CCTV SOLUTION

## CTX-BMP-5.0GC-CI-L

D/N 1080P IR Weatherproof Camera



**Clear Color**  
TECHNOLOGY



### Features :

- Resolution 2MP 1920\*1080P@25fps up to 5MP 2592\*`1904@25fps
- Built-in humanoid detection algorithm
- Detection frame 5fps, detect 5-10 people at the same time
- Low consumption, low code stream, low delay
- Support Smart IR to avoid Infrared over-exposure at night
- Support ICR auto switch, achieve best result for D&N video
- Embedded PoE module,
- Support 3D DNR and digital WDR
- Support auto-electronic shuttle to suit different surveillance environment
- Support two-way audio intercom, Onvif, email, NTP service

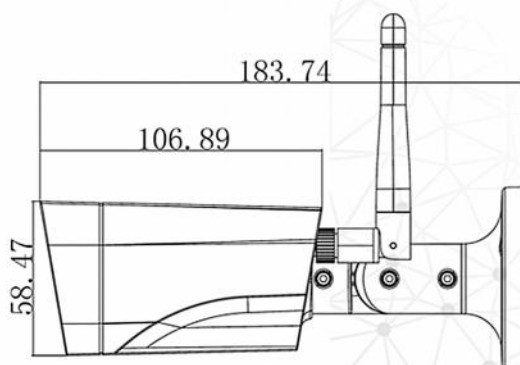
## Specification

CAMERA	
Name	CTX-BMP-5.0GC-CI-L
Image Sensor	1/2.7", 2MP low illumination sensor
Lens & Focus	2.8mm, Fixed lens
D&N	ICR switch, auto/color/B&W/CDS trigger/ customized time
D-WDR	D-WDR (Off/Low/Middle/High)
IR LED Control	IR/warm/dual light, auto/manual/off, support 0-100 brightness adjust
3D DNR	Off/Low/Middle/High/Higher
Defog	Off/Low/Middle/High
Mirror	Off/horizontal mirror/vertical mirror/180° flip
IMAGE	
Image Setting	Brightness, contrast, sharpness, saturation, chroma
Detection Quantity	5-10 person
Humanoid Size	Humanoid pixel ≥40X40
Detection Ratio	≥99% ( meet above requirement )
Capture Corresponding speed	≤ 1s
Max Detection Frame	5fps/s
Fault Detection Ratio	≤ 2%
Detect Part	People with any posture including half body, head, hand shoulder
Track People	Support
Detection Mode	Support static and dynamic humanoid detection
Detection Method	Image detection during day or night time with lights or IR Leds
Detection Area	Appointed area, default full-screen
Upload Method	Upload it under private protocol
Trigger Method	Video trigger
AUDIO & VIDEO CODING	
Standard	S. 265/ H.265/ H.264
Encoding Feature	Main stream: 5MP 2592*1904, 4MP 2560*1440@25fps, 3MP 2304*1296@25fps, 2MP 1920*1080@25fps Sub-stream: D1 (720*576), VGA (640*480), Q720P (640*360), CIF (352*288), QVGA (320*240)
Max Resolution	2MP 1920*1080
Video Code Rate	Fixed code rate, variable code rate (main stream: 160Kbps-4000kbps)
Video Type	Composited stream/video stream
Audio Standard	G.711u/ G.711A 64Kbps

### Specification

NETWORK	
Network protocol	TCP/IP, UDP, HTTP, HTTPS, DHCP, PPPoE, HTTP, HTTPS, RTSP, RTMP, DDNS, UPNP, FTP
Connection Protocol	Slink, Onvif, RSTP
Preview number simultaneously	4
Security Mode	Authorized user name and password, HTTPS encryption, AES connecting encryption, RTSP verification
Motion Detection	Set detection area, can set multi-level sensitivity
Occlusion Alarm	Support 1 area
Privacy Mask	Support 4 Areas
Schedule Linkage	Snapshot, email
Event Linkage	Capture, TF card recording, send email, alarm output, alarm light, voice broadcast
Device Abnormal Inspection	Support network broken alarm, IP conflict alarm, illegal visiting alarm
Character Overlay (OSD)	Title, time and date overlay, multi-line, and color of characters optional
INTERFACE	
Network Port	RJ45 10M/100M network self-adaptation
Audio	MIC Input/ Output
Amplifier	Built-in amplifier board
GENERAL	
Camera Material	Alluminium alloy body
Camera Dimension	183 x 106.89 x 58.47mm
Package Dimension	200 x 105 x 95mm
Camera Weight	Approx. 320g (0.70 lb.)
With Package Weight	Approx. 420g (0.93 lb.)
Power Supply	DC12V /POE
Working Temperature	-10 °C ~ 50°C
Working Humidity	0% - 90%

### Dimension



Unit : mm (inch)